

## FP-4 Series Medical Foot Switches

### Features

- Rubber enclosure
- Compact size
- Ergonomic low profile design
- Easy to clean
- High mechanical stability
- Option for various bases with buttons
- IP69K of double insulation available
- Internal rubber overmold switch for -LS

### Specifications

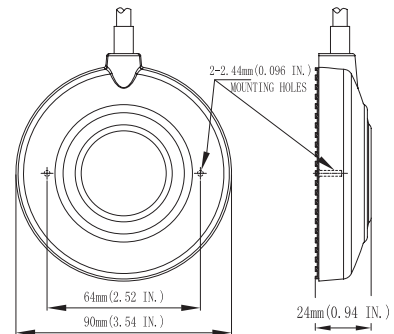
Operating Frequency	60 ops/min
Insulation Resistance	>100MΩ@500V DC
Contact Resistance	<25mΩ (initial)
Rated Current/Voltage	5A 125/250VAC
Dielectric Strength	1000VAC for 1 min between current carrying parts 2500VAC for 1 min between non-current carrying parts
Service Life	1 x 10 <sup>6</sup> (operations)
Operating Temperature	20~+80°C (-4~176°F)
Degree of Protection	IP67 or IP68/IP69K

### Selection Guide:

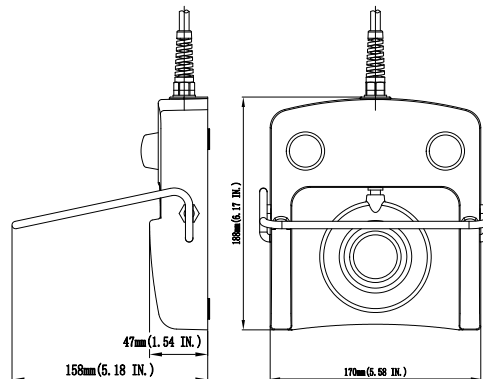
FP - 4	1	-	5W	-	W	-	-	-	B2	-	H	-	8	F	-	20/4	(B/B)
	Number of Pedals	Guard	Current Rating	Base (Optional)	Contact Type	Button Option	Handle (Optional)	Cable Length	Additional Wiring Information 18AWGx3	Pedal/Button Color							
		Blank: No guard G: Fully guarded	5: 5A IP67 10: 10A IP67 15: 15A IP67 5W: 5A IP68/IP69K 10W: 10A IP68/IP69K LS: 5A IP68/IP69K		Blank: SPDT T: DPDT (2NO/2NC)	Blank B1: One button B2: Two buttons B3: Three buttons			Blank: Meter(s) F: Foot/Feet	B: Black U: Blue Y: Yellow							

### Dimensions:

**FP-41-LS-8F-18/3(B)** (18AWGx3, 8ft, 1 x 1NO, Black Pedal)  
**FP-41-LS-8F-18/3(U)** (18AWGx3, 8ft, 1 x 1NO, Blue Pedal)  
**FP-41-LS-8F-18/3(Y)** (18AWGx3, 8ft, 1 x 1NO, Yellow Pedal)

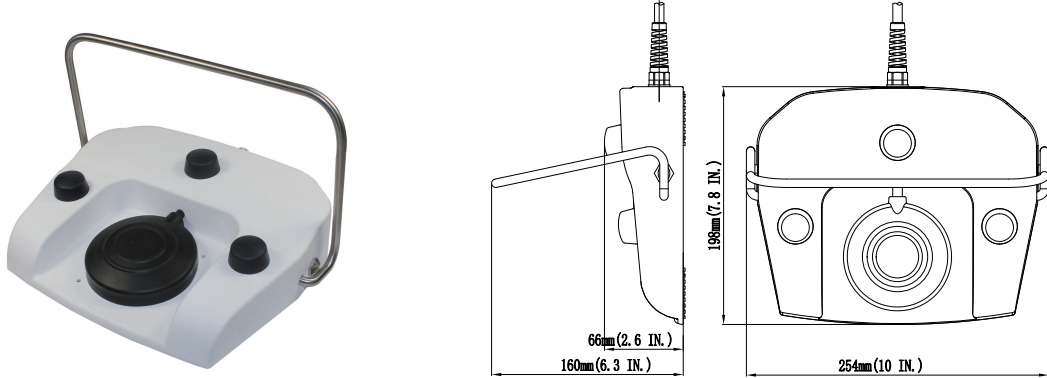


**FP-41-5-W-B2-H-8F-20/4(B/B)** (20AWGx4, 8ft, 3 x 1NO, Standard Base, Black Pedal/Button)

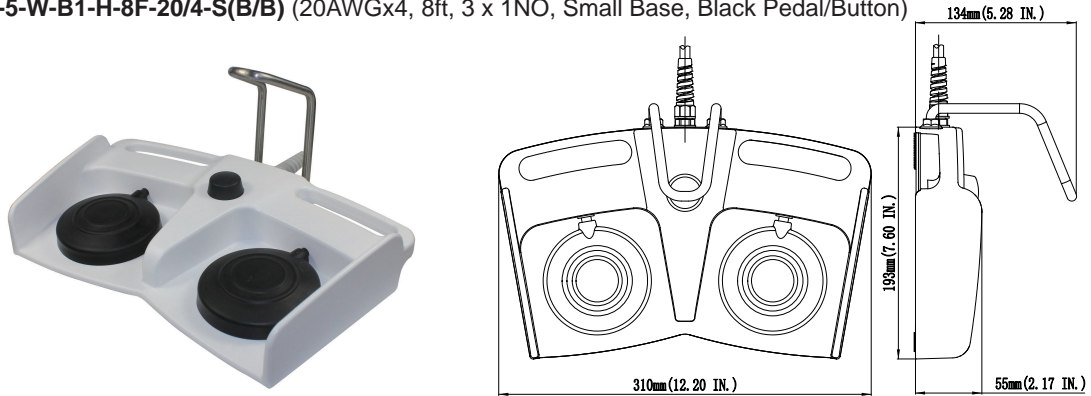


**FP-4 Series Medical Foot Switches**

**FP-41-5-W-B3-H-8F-20/5-L(B/B)** (20AWGx5, 8ft, 4 x 1NO, Large Base, Black Pedal/Button)



**FP-42-5-W-B1-H-8F-20/4-S(B/B)** (20AWGx4, 8ft, 3 x 1NO, Small Base, Black Pedal/Button)



**FP-42-5-W-B2-8F-20/6(B/B)** (20AWGx6, 8ft, 5 x 1NO, Standard Base, Black Pedal/Button)

